

418 SERIES

Aluminium hinged concealed vent

PAZCO® is a range of sections designed for the manufacture of standard and French windows with concealed vents, thermal break by 30mm polyamide strip, and a PVC rebate in the vent.

FEATURES

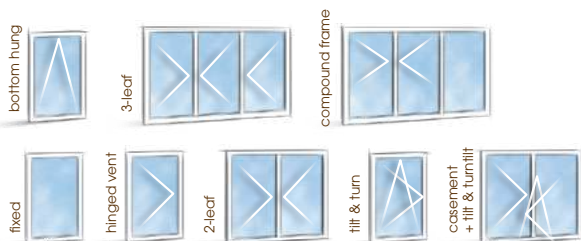
- Thermal performance better than the French RT 2012 standard
- One-piece fixed frames for 100–180mm infill + pre-installed gasket = less assembly time
- Special front-fitting renovation fixed frame
- Low-profile 63.6mm centre batten possible
- Lock & key closure possible
- Available with 16mm groove or Eurogroove
- Reduced sill for diable access
- Available in all Profils Systèmes' exclusive colours : Terra Cigala®, Maohé®, Eclats Métalliques®, Profils Color®, Terre de Matières®
- Colour shades guaranteed up to 25 years*

CURVED SHAPE DESIGN



STRAIGHT CUT DESIGN

CONFIGURATIONS

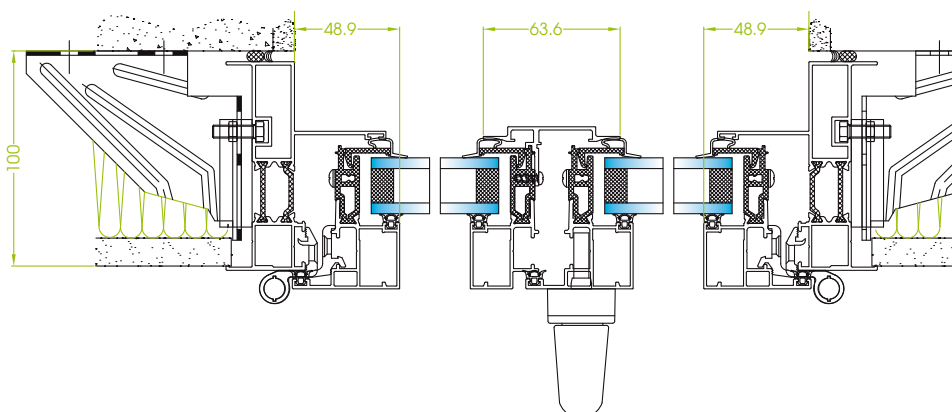


GLAZING

- Available for double or triple glazing
- Glazing thickness up to 38mm for euro groove and 32mm for 16mm groove

SECTIONS

2-leaf / Straight cut fixed frame / Vent 45° cut clamp & slot / Accessibility sill / Factory Spirit® straight design



PERFORMANCE

CSTB accreditation : DTA number 06/12-2106

Thermal :

- $U_w = 1.2 \text{ Wm}^2\text{K}$ / $U_g = 0.6$ / $Sw=0.46$ and $Tlw = 0.56$
triple glazed frame W1480 x H1530mm
- $U_w = 1.5 \text{ Wm}^2\text{K}$ / $U_g=1,0$ / $Sw=0.41$ and $Tlw= 0.56$
double glazed frame W1480 x H1530mm

Acoustic : Noise reduction index of up to 36dB (Ra,tr)

Weather tightness :

- French window single leaf Dimensions W900 x H2150mm
AEV (air-water-wind) test results : **A*3 – E*E750A – V*A3**
- French window single leaf Dimensions W1250xH1600mm
AEV (air-water-wind) test results : **A*4 – E*E9A – V*A3**
- French window 2-leaf Dimensions W1400 x H2050mm
AEV (air-water-wind) test results : **A*4 – E*E9A – V*A3**

ACCESSIBILITY

Reduced sill for disabled access

HINGES

- 2-piece
- Slot & clamp

VERSIONS

- 16mm groove
- Eurogroove on Factory Spirit® design only

PAZCO

418 SERIES

MADE IN FRANCE



FIXED FRAME

- **Hollow section** fixed frame : **55, 60, 68** and **79 mm**
- **Single-piece** fixed frames for **100mm** to **180 mm** insulation
- **Special renovation** frame for front fitting with built-in or offset architrave

LEAF

- Hollow-section vent, thickness **65.5mm** or **74 mm**.
- Vent designed for glazing bead, with **pre-installed gaskets**
- **Low-profile batten** (63.6 mm) with centred handle possible

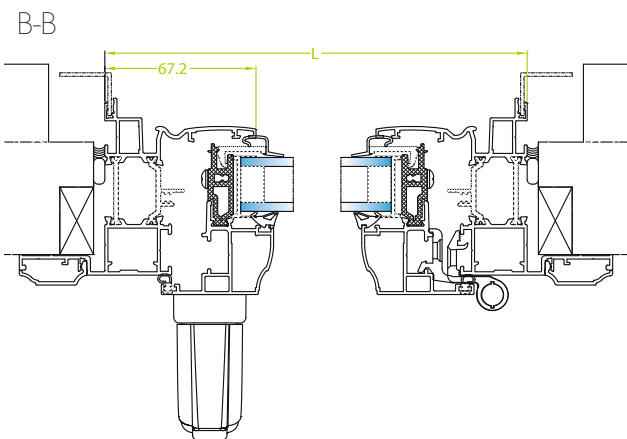
ASSEMBLY

Fixed frame :

- For **straight cut** direct screwing into section end
- For **mitre cut** pegged square brackets or crimping

WEATHER TIGHTNESS

- Seal between sections by brush seal or TPE gasket
- Seal between socket mullions by coextruded gasket
- Glazing seal by EPDM U-gasket (direct glazing)



Concealed sash to optimize daylight

Foam sealing (quicker, safer)

Fixed frame from 100 to 160mm for doubling

Gazing up to 38mm

Two types of hinges : screw or clamp

MAX DIMENSIONS

	Width (mm)	Height (mm)
Single leaf side hung :	900	2200
2-leaf side hung :	1600	2200
Tilt & turn 1-light :	1250	2200
T&T 2-light bottom hung :	1800	2200
Side hung 2-vent :	1200	600
Low-profile batten :	1500	2200
T&T 2-light low-profile batten :	1600	2200

SECTIONS

Side-hung single casement
Renovation / Curved design

CLOSURE

Flat-plate handle on single- and two-vent frames. Closure is by a 3-point lock, with top and bottom strikes slotted & clamped in the fixed frame rebate.

www.profilis-systemes.com

Parc Activités Massane - 10 rue Alfred Sauvy
34 670 Baillargues - France / Tél : +33 4 67 87 67 87
A Corialis affiliated company

Profils
SYSTEMES

LAQUAGE GARANTI
25 ANS

QUALICOAT
Licence n°549

alu+C-

RPT ALUMINIUM PROFILES
QB

This guarantee is only available to professional retailers who are clients of Profils Systèmes, see terms and conditions of sale at www.profilis-systemes.com *Certificat n°002-529