

Canberra

Invisible hinges

Available for all Profils Systèmes' Eurogroove casement window ranges.

With this new invisible hardware, the window blends harmoniously into the interior space. No technical element disturbs the design aesthetic of Profils Systèmes' aluminium joinery...

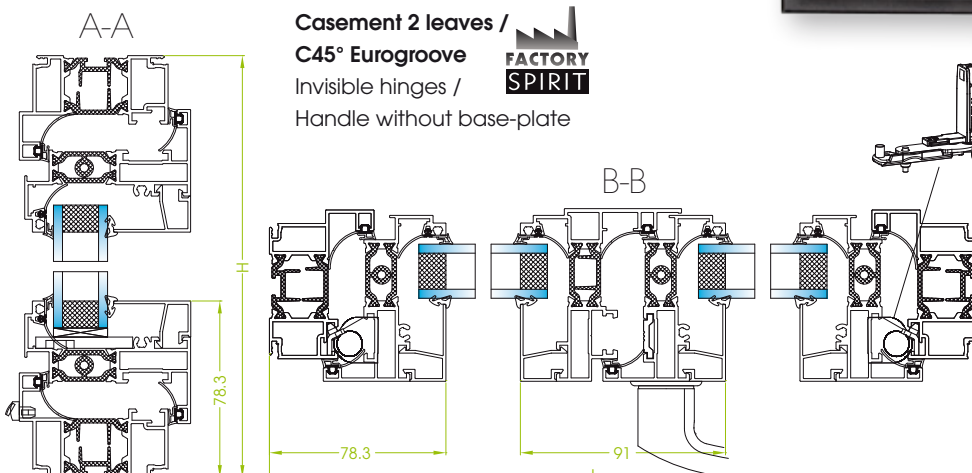
FEATURES

- **Adaptable** to all Eurogroove casement windows in the Profils Systèmes' range
- Available for **inward-opening** and **tilt-turn** versions
- Maximum load **100 kg**
- Maximum window and door dimensions : **W 1500 x H 2500 mm**
- **Classic opening** styles. This range is designed to be simple to handle and produce
- Stocks of **non-lacquered accessories** may be stocked directly by the manufacturer

COMFORT

- **Wide 180°** opening angle
- **Easy to position**
- Very good **air resistance** thanks to :
 - the unbroken seal
 - the 3D control of the hinge, providing better compression
- Range has **micro-ventilation**, allowing natural aeration

STYLES



MADE IN FRANCE

HIGHLIGHTS

- Sleek design
- 180° opening
- Load up to 100 kg
- Easy to position
- 3D hinge adjustment
- Very good air resistance
- Microventilation range
- Can be adjusted to reduced height jambs
- Quick, simple fitting
- Non-lacquered accessory helps stock management

FITTING & ADJUSTING

- **Quick, simple fitting** thanks to compact, slide-in components
- **Optimised fitting time** → No seal to cut
- **3D hinge adjustment** → Adjustable for the ultimate fit



Profils
SYSTEMES

Choose your profile

Canberra

Handles without base-plate

An elegant handle is the finishing detail to make aluminium joinery stylish!

Profils Systèmes presents 10 new handles without base-plate to make aluminium doors and windows sublime. Functional and aesthetic, these handles are adaptable to the Cuzco®, Satin Moon®, Pazco® & Dzao® door and window ranges blending with their natural elegance and reinforcing their sleek, sober lines.



HIGHLIGHTS

- Sleek design
- Very robust
- Easy to machine and to fit
- Available in all Profils Systèmes' exclusive colours : Terra Cigala®, Maohé®, Eclats Métalliques®, Profils Color®, Terre de Matières®

FEATURES

Adaptable for all window and door ranges (inward & outward opening) and the Cuzco®, Satin Moon®, Pazco® & Dzao® (Eurogroove only)

- **2 design choices** : Factory Spirit® straight or curved
- **Endurance**: Certification 15000 cycles / EN 13126-8 standard
- **Security** : key locking available

MACHINING & FITTING

- **Rapid machining** only needs punching (no routing) on the opening section (Eurogroove only)
- **Handle** can be directly **attached** to opening section. Fitting can be done on site, so the joinery can be transported without the handle
- Joinery mechanism can be opened or closed with an Allen® key or square key during the construction

CURVED & STRAIGHT DESIGN

DESIGN & COMFORT

- **Sleek design**, the joinery's natural elegance
- Perfect **ergonomy**
- **Handle lacquered** to match joinery

Eurogroove

403.921

Curved HANDLE

403.920

Factory Spirit® HANDLE

WINDOWS



16 mm groove

008.410

Curved HANDLE

008.412

Curved HANDLE

008.414

Factory Spirit® HANDLE



403.664

Curved HANDLE

403.666

Factory Spirit® HANDLE

DOORS



008.411

Curved HANDLE

008.413

Curved HANDLE

008.415

Factory Spirit® HANDLE



Powder coating guaranteed*



www.profil-systemes.com

Parc Activités Massane - 10 rue Alfred Sauvy
34 670 Baillargues - France / Tél : +33 4 67 87 67 87
A Corialis affiliated company

Profils
SYSTEMES

*This guarantee is only available to professional retailers who are clients of Profils Systèmes, see terms and conditions of sale at www.profil-systemes.com