



CHARACTERISTICS

- Meets French regulations RE 2020
- **Factory Spirit®** straight design
- **Multipoint lock** (up to 5 points)
- **Disabled access sill**
- **Optional two-colours**
- Available in all Profils Systèmes exclusive colours: **Eclats Métalliques®, Profils Color®, Terre de Matières®**
- **Colour hold guaranteed up to 25 years***

716PL SERIES - C45°

Aluminium class 8 heavy duty door

The CUZCO® 716 series FACTORY SPIRIT® straight design range is designed for the manufacture of heavy duty doors with thermal bridge break using 30 to 35mm polyamide strips.

Class 8 DOOR



PERFORMANCE

Thermal:

- **Ud = 1.3 Wm²K / Sw=0.38 et Tlw=0.56**

Warmedge **Ug=0.6**

Triple glazed 1leaf door

Dimension : W 1320 x H2720mm

- **Ud = 1.6 Wm²K / Sw=0.47 et Tlw=0.56**

Warmedge **Ug=1.1**

Double glazed 1leaf door

Dimension : W 1320 x H2720 mm

Endurance:

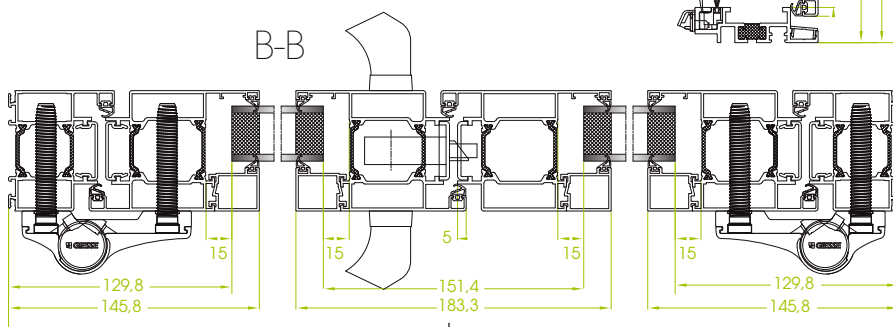
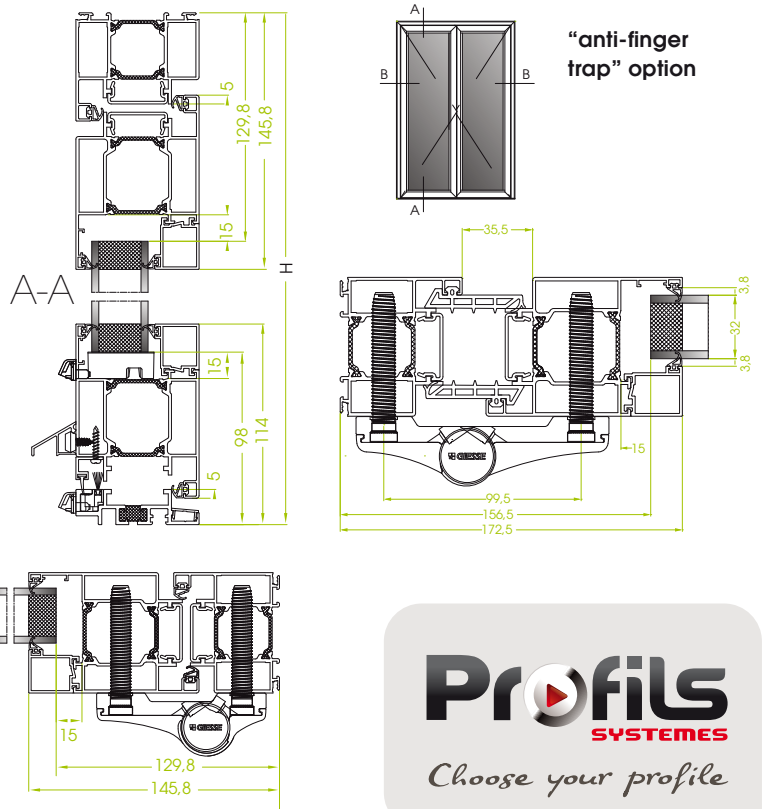
Classe 8 (1 million cycles)

ACCESSIBILITY

Disabled access sill

SECTIONS

Inward opening 2 leaves door with disabled access sill



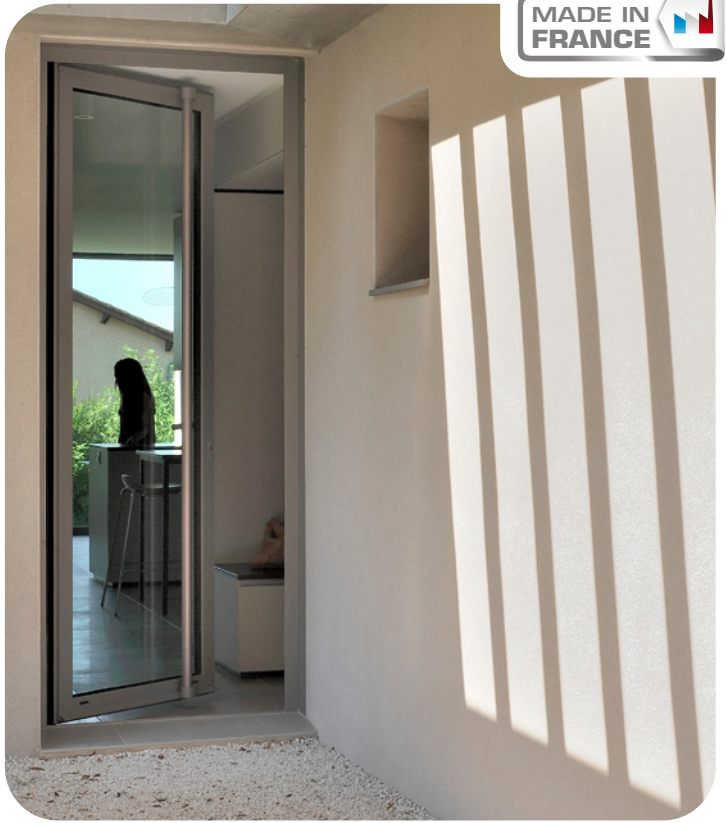
Profils
SYSTEMES

Choose your profile



716PL SERIES - C45°

Aluminium class 8 heavy duty door



FIXED FRAME / OPENING FRAME

- Tubular, 70mm thick
- Thermal insulation by 30 to 35 mm polyamide strips for an excellent insulation coefficient
- Inwards or outwards opening with thermal bridge break

ASSEMBLY

Mitre cut by angle bracket. All assembly parts are necessarily in aluminium and/or stainless steel.

LOCKING

Locking system with up to 5 points. Compatible with commonly used hardware: panic bar, groom, fire service lever handle or electric lock.

HARDWARE

- Pin or slip-joint hinges
- Panic bar
- Guardsman handle
- Electric door opener
- 5-point lock / Protruding deadlock / Rollers

WEATHER TIGHTNESS

Weather tight by compression of 2 identical, turning EPDM seals on closing.

GLAZING

Infill up to 50mm thick.

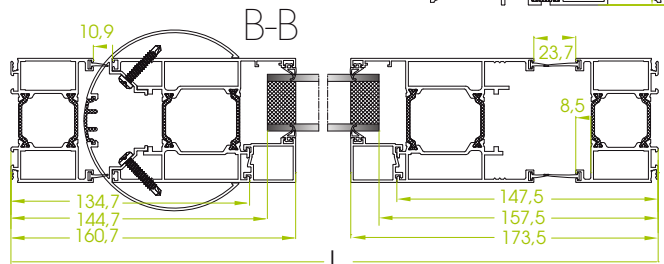
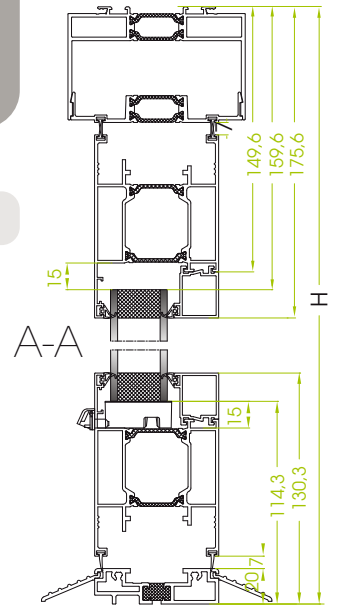
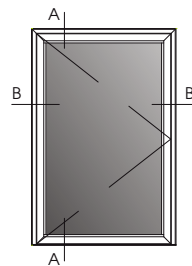
MAX. WEIGHT 140 KG

MAX. DIMENSIONS (mm)

- 1 leaf :
W 1100 x H 3000 mm
- 2 leaves :
W 2000 x H 3000 mm

SECTION

1 leaf door opening both ways



www.profil-systemes.com

Parc Activités Massane - 10 rue Alfred Sauvy
34 670 Baillargues - France / Tél : +33 4 67 87 67 87
A Corialis affiliated company



This guarantee is only available to professional retailers who are clients of ProfilsSystèmes, terms & conditions at www.profil-systemes.com * Certificat n°002-529