

# SATIN MOON



## 616 SERIES

### Aluminium Foldable door with thermal break

Joinery system for constructing self-supporting folding doors with thermal break, opening inwards or outwards.



STRAIGHT CUT DESIGN

### PERFORMANCE

#### Weather tightness :

3-leaf door with fixed frame surround,  
Dimensions WxH 2700 x 2114mm : AEV (air-water-wind)  
test results: **A\*4 - E\*1050 - V\*C 4** Waterproof rating  
greater than 9

### ACCESSIBILITY

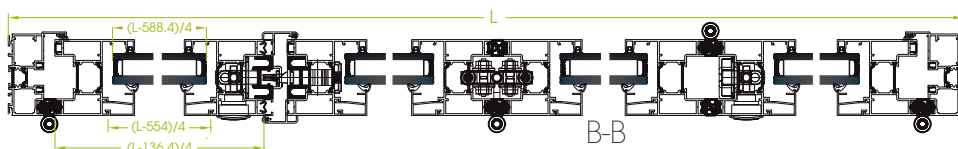
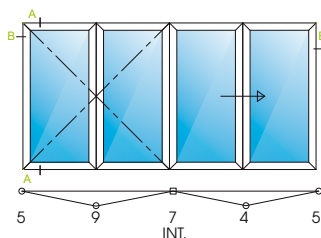
Reduced sill for disabled access

### CONFIGURATION

- Up to 8 leaves
- Inward or outward opening
- Entry leaf can be in any position
- 90° corner fitting possible with outward opening
- Top guide rail
- Bottom rolling rail, stainless steel

### SECTIONS

4-leaf / Accessibility sill / FACTORY SPIRIT® straight design



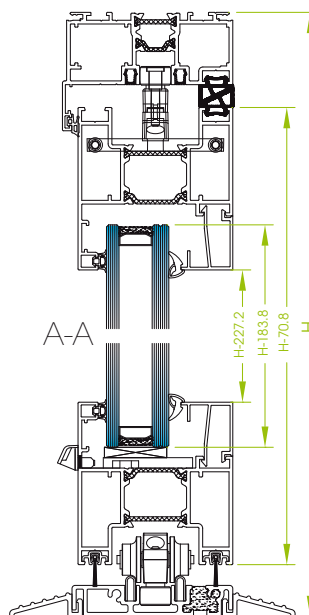
### FEATURES



- Reduced sill for disabled access
- Corner assembly possible
- Available in all Profils Systèmes' exclusive colours : Terra Cigala®, Maohé®, Eclats Métalliques®, Profils Color®, Terre de Matières®
- Colour shades guaranteed up to 25 years\*

### DIMENSIONS

- Max dimensions: 1 leaf WxH 1000 x 2500mm 8 leaves maximum
- Min width per leaf : 700mm
- Max weight per leaf : 100kg



**Profils**  
SYSTEMES

Choose your profile

## 616 SERIES

### Aluminium Foldable door with thermal break

#### LEAF

Hollow-section, thickness 74.5mm

#### GLAZING

- Double or triple glazing or insulating door panel 26 to 32mm
- Rebate depth 22.2mm on fixed frame, 26 mm on leaf  
Seal compliant with French building regulation DTU 39

#### LOCKING

- Batten: 3-point bolt with lock and key
- Foldable section: top and bottom locking point

#### FIXED FRAME

- Hollow-section 80mm thickness, with clip-on architraves and offset shutter pieces possible for wall infill thickness compensation
- Wall infill thickness 100 to 200mm

#### INSTALLATION

Direct fitting or mounted on spacers with treated steel lugs or wall plugs per French building regulation DTU 36.5

Warning: the top transom of the fixed frame cannot support more than 2mm sag without hampering proper opening and closing.



[www.profilis-systemes.com](http://www.profilis-systemes.com)

Parc Activités Massane - 10 rue Alfred Sauvy  
34 670 Baillargues - France / Tél : +33 4 67 87 67 87  
A Corialis affiliated company



This guarantee is only available to professional retailers who are clients of ProfilsSystemes, see terms and conditions of sale at [www.profilis-systemes.com](http://www.profilis-systemes.com) \*Certificat n°002-529