

# SATIN MOON



## FEATURES

- Thermal performance in excess of RT 2012 requirements
- Automatic multi-point lock
- Reduced sill for disabled access
- Panel or glazing (20 to 42 mm)
- Dual colour possible
- Available in all Profils Systèmes' exclusive colours : Terra Cigala®, Maohé®, Eclats Métalliques®, Profils Color®, Terre de Matières®
- Colour shades guaranteed up to 25 years\*

## 413 SERIES - C45° Traditional aluminium door High energy performance

The SATIN MOON® 413 C45° range of aluminium profile is designed for the production of thermal break frames with high energy performance

## PERFORMANCE

### Thermal :

- Up to  $U_d = 1.1$  /  $Sw = 0.45$  /  $Tlw = 0.58$   $U_g = 0.6$  triple glazed
- Up to  $U_d = 1.5$  /  $Sw = 0.41$  /  $Tlw = 0.57$   $U_g = 1.0$  double glazed 2-leaf door EC dimensions for a surface over 3.6 sq.m.

### Weather sealing :

1-leaf door dimensions W1050 x H2100  
AEV (Air Water Wind) test results: **A\*4 E\*9A V\*C3**

## CURVED DESIGN



## STRAIGHT CUT DESIGN

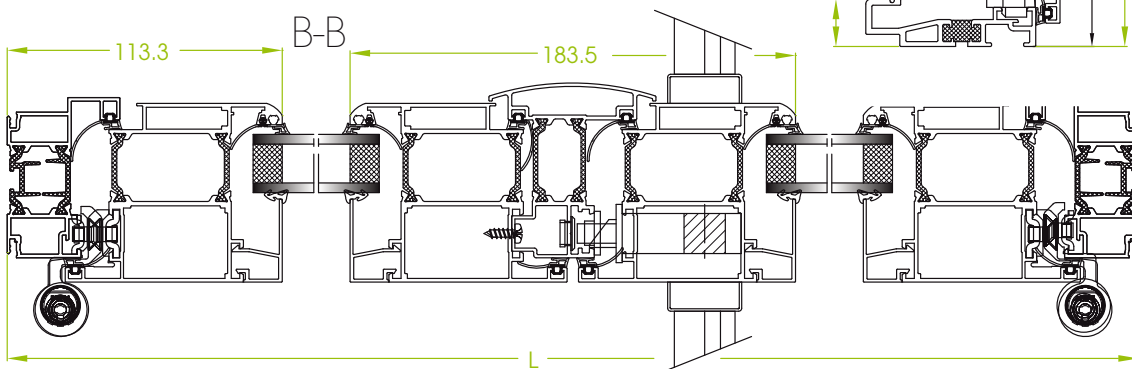
- Low-key design
- Straight refined lines

## ACCESSIBILITY

Reduced sill for disabled access

## SECTIONS

1 straight fixed leaf door / Reduced sill for disabled access / FACTORY SPIRIT® Design



**Profils**  
SYSTEMES

Choose your profile



# SATIN MOON

## 413 SERIES - C45°

### Traditional aluminium door High energy performance

#### FIXED FRAME

Tubular 60 mm thick with 28 mm polyamide strips

#### LEAF

- Tubular 73.6 mm thick with 32 mm polyamide strips
- Reduced aluminium section: fixed and opening frames 113,3 mm
- Central opening 183,5 mm

#### GLAZING

- Double or triple glazing
- Panel or glazing: up to 54 mm on a eurogroove

#### LOCKING

- Possibility of multipoint, lever operated or automatic locking system
- Hardware for eurogrooves with dedicated door furniture

#### ASSEMBLY

Mitre-cut assembly with angle brackets for eurogrooves only



[www.profil-systemes.com](http://www.profil-systemes.com)

Parc Activités Massane - 10 rue Alfred Sauvy  
34 670 Baillargues - France / Tél : +33 4 67 87 67 87  
A Corialis affiliated company

# Profils

SYSTEMES