

# SATIN MOON



## 416 SERIES - C45° Heavy-duty Class 8 aluminium entry door

The straight-edged SATIN MOON® range of aluminium profiles is designed for multi-use doors, incorporating 20 to 25 mm polyamide thermal bridge break bars (for newbuild or renovation work). The Satin Moon® heavy-duty door, as the latest AEV test results show it to be one of the most advanced on the market (A\*4 E\*9A V\*C3 / Door 1 leaf).

### CLASS 8 DOOR



### STRAIGHT CUT DESIGN

### PERFORMANCE

#### Thermal :

- $U_d = 1.3 \text{ Wm}^2\text{K}$  / triple glazing frame  
 $U_g = 0.6$ ,  $Sw=0.44$  et  $Tlw=0.54$  EC dimensions
- $U_d=1.6 \text{ Wm}^2\text{K}$  / double glazing frame  
 $U_g=1.0$ ,  $Sw=0.40$  et  $Tlw=0.53$  EC dimensions

#### Water resistance :

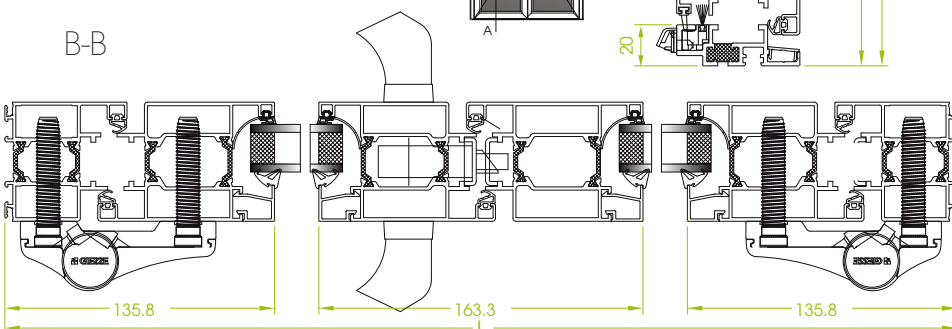
Door 2 leaves EC dimensions for an area over 3,6m<sup>2</sup>. AEV Results : A\*4 E\*9A V\*C3

#### Endurance :

Class 8 (1 million cycles)

### SECTIONS

Door 2 leaves opening inward



MADE IN FRANCE

ANGLE CUT 45°



### FEATURES

- Thermal Performance above RT 2012
- Factory Spirit® design
- Automatic multi-point lock (up to 5 points)
- Reduced sill for disabled access
- Dual color possible
- Available in all Profils Systèmes' exclusive colours : Terra Cigala®, Maohé®, Eclats Métalliques®, Profils Color®, Terre de Matières®
- Colour tint guaranteed up to 25 years\*

### ACCESSIBILITY

Reduced sill for disabled access

**Profils**  
SYSTEMES

Choose your profile

# SATIN MOON



MADE IN FRANCE

## 416 SERIES - C45° Heavy-duty Class 8 aluminium entry door

### FIXED FRAME / LEAF

- Uprights and frame elements 60mm
- Thermal insulation by 20 to 25mm polyamide bars allowing an excellent insulation coefficient
- Inward or outward opening with thermal bridge break

### ASSEMBLY

Mitre-cut mounting by plugs or crimping. All fixings in stainless steel and/or aluminium.

### LOCKING

5-point locking.  
Can be fitted with modern door furniture, such as antipanic bar, door-closer, lever action door bolt or electric lock.

### IRONMONGERY

- Overlay or screw-in hinges.
- Antipanic lock
- Pull handle
- Electric striking plate
- 5-point lock / sliding bolt / Rollers

### WATER RESISTANCE

Waterproofing by 2 identical EPDM seals on the closing bar compressed by door closing.

### GLAZING

Infill up to 42mm thick



### MAX DIMENSIONS

- 1 leaf :  
**1100 x 2400mm**
- 2 leaves :  
**2000 x 2400mm**



[www.profil-systemes.com](http://www.profil-systemes.com)

Parc Activités Massane - 10 rue Alfred Sauvy  
34 670 Baillargues - France / Tél : +33 4 67 87 67 87  
A Corialis affiliated company

**Profils**  
SYSTEMES

This guarantee is only available to professional retailers who are clients of Profils Systèmes. see terms and conditions of sale at [www.profil-systemes.com](http://www.profil-systemes.com) \*Certificat n°002-529